

# SES Type

## Earthing Switches



- > Up to 36 kV Voltage Level
- > Suitable for all mechanisms
- > Related Standard IEC 62271-102

# SES Type

## Earthing Switches

- > For earthing the Medium Voltage Systems safety.
- > Due to the air insulated type, the disconnecter contact positions can be easily observe for SES Type Earthing Switches.
- > SES Type Earthing Switches are manufacturing according to Type E2-B just to have capacity of making (5 times making capacity)
- > SES Type Earthing Switches are manufacturing according to IEC 62271-102 standards.
- > SES Type Earthing Switches can operate with all type of operation mechanizm
- > SVI and SVI + Ex-RO Capacitive Voltage Indicators can work with the signal from Capacitive Voltage Dividers for SES.
- > If SES Type Earthing Switches install without SRS Type Rotary Switches, the earthing position signal can be collected by installing an auxiliary switch on to frame of SES.
- > In case of need 1 pieces of heavy duty change over auxiliary contact can be optionally install.

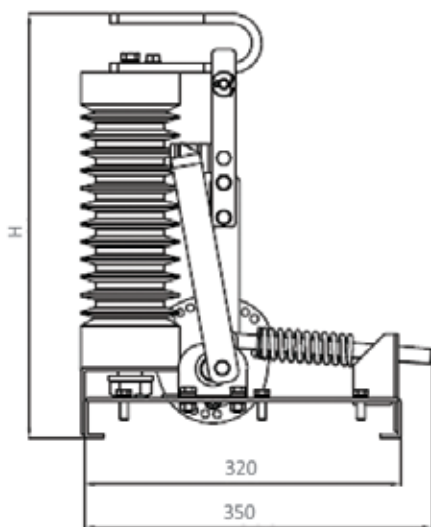
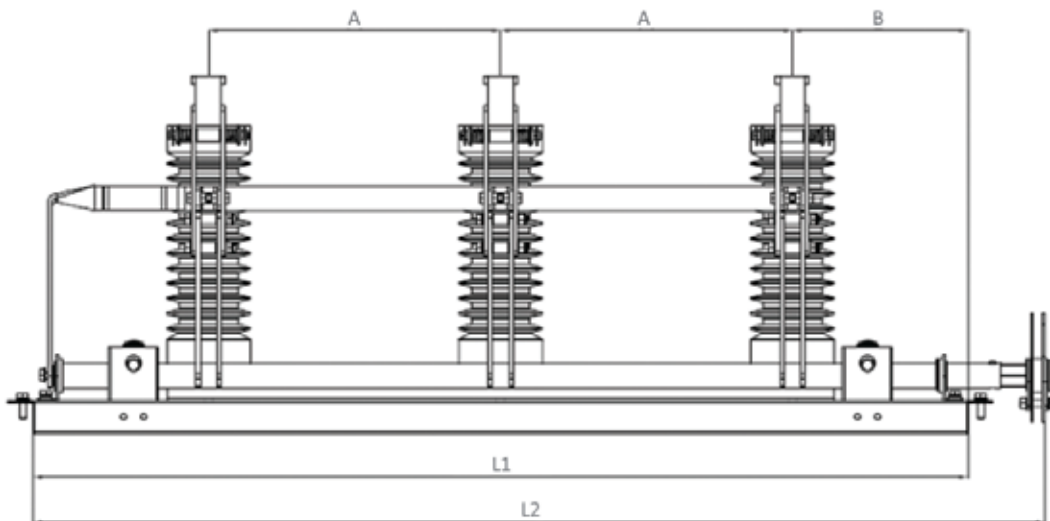


Technical Specification							
Product Code	Product Type	Ur (kV)	Ik (kA)	tk (s)	Ud (kV)	Up (kV)	Ip (kA)
115.42.758.0D01 - 1	SES- 12/0000 - 1601	12	16	3	28	75	40
115.42.758.0E01 - 1	SES- 12/0000 - 2001	12	20				50
115.42.758.0F01 - 1	SES- 12/0000 - 2501	12	25				63
115.42.758.0H01 - 1	SES- 12/0000 - 3101	12	31,5				80
115.42.758.0J01 - 1	SES- 12/0000 - 4001	12	40				100
115.44.758.0D01 - 1	SES- 24/0000 - 1601	24	16	3	50	125	40
115.44.758.0E01 - 1	SES- 24/0000 - 2001	24	20				50
115.44.758.0F01 - 1	SES- 24/0000 - 2501	24	25				63
115.44.758.0H01 - 1	SES- 24/0000 - 3101	24	31,5				80
115.44.758.0J01 - 1	SES- 24/0000 - 4001	24	40				100
115.45.758.0D01 - 1	SES- 36/0000 - 1601	36	16	3	70	170	40
115.45.758.0E01 - 1	SES- 36/0000 - 2001	36	20				50
115.45.758.0F01 - 1	SES- 36/0000 - 2501	36	25				63
115.45.758.0H01 - 1	SES- 36/0000 - 3101	36	31,5				80

**Ur** : Rated voltage  
**Ik** : Rated short time current  
**tk** : Rated duration of short time circuit

**Ud** : Rated power frequency withstand voltage  
**Up** : Rated impulse withstand voltage  
**Ip** : Rated peak withstand current

Dimensions						
Product Code	Product Type	L (mm)	L1 (mm)	H (mm)	A (mm)	B (mm)
115.42.758.0D01 - 1	SES - 12/0000 - 1601	822	802	255	250	150
115.42.758.0E01 - 1	SES - 12/0000 - 2001	822	802	255	250	150
115.42.758.0F01 - 1	SES - 12/0000 - 2501	822	802	255	250	150
115.42.758.0H01 - 1	SES - 12/0000 - 3101	822	802	255	250	150
115.42.758.0J01 - 1	SES - 12/0000 - 4001	822	802	255	250	150
115.44.758.0D01 - 1	SES - 24/0000 - 1601	922	902	340	280	170
115.44.758.0E01 - 1	SES - 24/0000 - 2001	922	902	340	280	170
115.44.758.0F01 - 1	SES - 24/0000 - 2501	922	902 <td 340	280	170	
115.44.758.0H01 - 1	SES - 24/0000 - 3101	922	902	340	280	170
115.44.758.0J01 - 1	SES - 24/0000 - 4001	922	902	340	280	170
115.45.758.0D01 - 1	SES - 36/0000 - 1601	1243	1180	430	350	240
115.45.758.0E01 - 1	SES - 36/0000 - 2001	1243	1180	430	350	240
115.45.758.0F01 - 1	SES - 36/0000 - 2501	1243	1180	430	350	240
115.45.758.0H01 - 1	SES - 36/0000 - 3101	1243	1180	430	350	240



## Medium Voltage Switchgears Orta Gerilim Hücreler

## Switching Equipments Anahtarlama Ürünleri

## Kiosk Type Substations Köşk Tipi Trafo Merkezleri

## Mobile Substations Mobil Trafo Merkezleri

## Distribution Transformers Dağıtım Trafoları

## Resistor Banks Dirençler

## Power Quality Solutions Enerji Kalitesi Çözümleri

## Medical Power Distribution Tıbbi Güç Dağıtım Sistemleri

## Power Capacitors & Reactors Kondasatör ve Reaktörler

## AMR, AMM & Billing Sayaç Otomasyonu ve Faturalama

## Measuring & Management Ölçme ve Yönetim Sistemleri

## Secondary Protection Relays Sekonder Koruma Röleleri

## Earth Leakage Relays Kaçak Akım Röleleri

## Power Converters & Rectifiers Yüksek Güç Dönüştürücüleri ve Redresörler

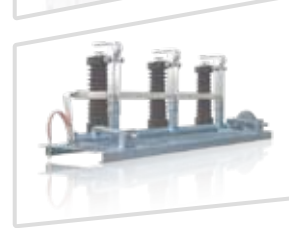
## Solar Power Solutions Güneş Enerjisi Çözümleri

## Traction Substations Cer Gücü Dağıtım Merkezi

## Depot Area Solutions Depo Alanı Çözümleri

## On-Board Equipment Araçüstü Ekipmanlar

## Eubiq Flexible Power Outlet System Eubiq Esnek Fiş - Priz Sistemleri



### Headquarter Merkez

Bayraktar Blv. Şehit sk. No: 5 Aktif Plaza  
34775 Ümraniye İstanbul - Türkiye  
Tel : +90 216 314 93 20  
Fax : +90 216 314 93 60

### Factory Fabrika

Akşemsettin mah. Çatalca sk. No:113  
06930 Sincan Ankara - Türkiye  
Tel : +90 312 269 46 02  
Fax : +90 312 269 45 01